



# Direct Drive Centrifugal Roof Exhauster Model PRN



Model PRN direct drive fans are centrifugal power roof ventilators designed for exhausting clean air. Capacities up to 2770 CFM and up to 1 inch static pressure. The PRN is a downblast exhauster suitable for all types of commercial and institutional buildings such as schools, hospitals, office buildings, and retail stores.



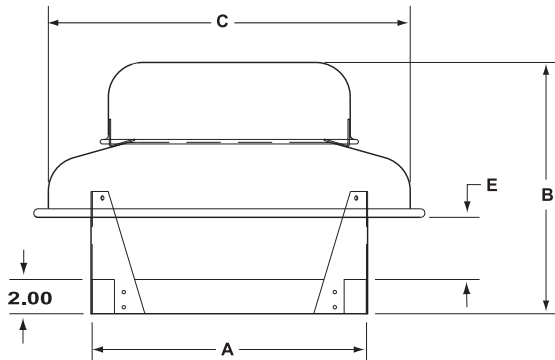
## Construction Features

### Housing

- Hoods constructed of heavy gauge aluminum, die formed with rolled bead for strength
- Curb base and inlet are one piece with continuous welded corners
- Steel fasteners are zinc dichromate plated
- Heavy gauge galvanized wire birdscreen
- Heavy gauge corner support brackets transmit motor and impeller weight to curb base
- Conduit post for ease of electrical wiring

### Airfoil Centrifugal Wheel

- Aluminum construction with backward curved hollow airfoil blades
- Non-overloading design for safe operation
- Precision balanced for smooth vibration free operation



### Motor

- Continuous duty motors located outside the airstream
- Motor compartment is ventilated by a "forced air" cooling system
- Factory wired with polarized disconnect plug (except explosion resistant motors)



DIMENSIONS										
Fan Model	A	B	C	E	Roof Opening* ‡	Est. Unit Wt.	Est. Ship Wt.	Damper Model	Curb Model ‡	SSC
PRN080	13.50	9.00	18.25	—	9 x 9	22	24	AR8.75	C12	3 AMP
PRN100	16.00	13.25	21.12	3.81	11.5 x 11.5	23	25	AR11	C14.5	3 AMP
PRN110	16.00	13.25	21.12	3.81	11.5 x 11.5	24	26	AR11	C14.5	3 AMP
PRN118	21.00	16.38	27.75	4.81	16.5 x 16.5	37	42	AR16	C19.5	6 AMP
PRN126	21.00	16.38	27.75	4.81	16.5 x 16.5	38	44	AR16	C19.5	6 AMP
PRN135	21.00	16.38	27.75	4.81	16.5 x 16.5	44	51	AR16	C19.5	6 AMP
PRN145	21.00	16.38	27.75	4.81	16.5 x 16.5	58	64	AR16	C19.5	6 AMP
PRN163	24.00	18.12	31.63	5.56	19.5 x 19.5	66	75	AR18	C22.5	6 AMP
PRN171	24.00	18.12	31.63	5.56	19.5 x 19.5	75	83	AR18	C22.5	6 AMP

Dimensions are shown in inches.

Weights are shown in pounds.

\*Recommended maximum.

‡ Please contact your local representative for correct rated sizing for hurricane construction.

## Options/Accessories

- Roof Curbs
- Dampers
- Solid State Speed Controllers
- Coatings
- Disconnect Switch
- Aluminum Birdscreen

Acme Engineering & Manufacturing Corporation certifies that the models shown herein are licensed to bear the AMCA seal. The ratings shown are based on tests and procedures performed in accordance with AMCA Publication 211 and AMCA Publication 311 and comply with the requirements of the AMCA Certified Ratings Program.

U.L. 705 Listed
 CSA Certified

*Consult your Acme representative for availability.*