



Est. 1938

Ceiling & Cabinet Exhausters

Models VQ and VQL

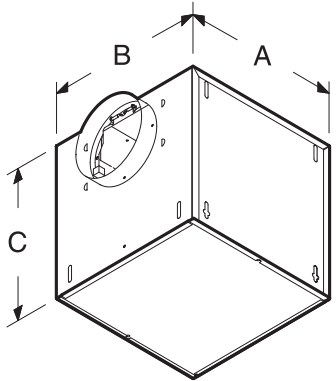
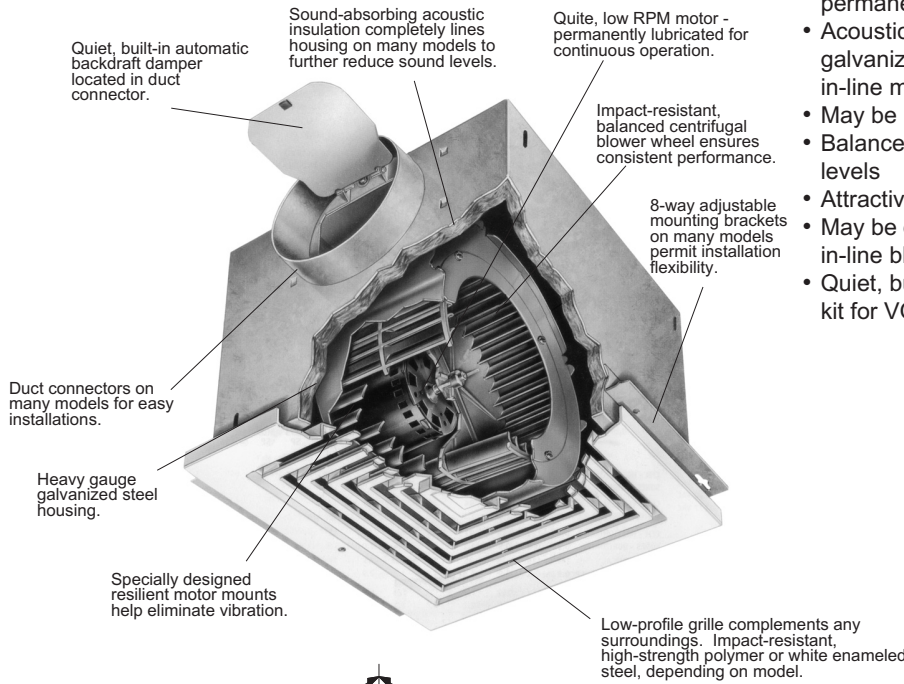
Model VQ Ceiling and VQL In-Line fans are direct drive centrifugal exhausters design for ultra-quiet operation. Capacities up to 3868 CFM and up to 1 inch static pressure. Perfect for offices, conference rooms, bathrooms, hospital rooms - Anywhere quiet, high capacity ventilation is needed.



Construction Features

- Equipped with electrical terminal box and plug-in disconnect inside housing
- Wiring plate allows unit to be wired from outside housing
- Low RPM motors mounted on resilient mounts for quiet, vibration-free operation
- Motors designed for continuous operation and are permanently lubricated
- Acoustic insulation inside rugged, heavy gauge galvanized steel housings (VQ50, VQ80, and some in-line models not insulated)
- May be installed in ceiling or wall
- Balanced blower wheels for extremely low sound levels
- Attractive, low profile grilles standard on VQ models
- May be ducted right angle, straight through or as an in-line blower (VQ50 and VQ80 right angle only)
- Quiet, built-in backdraft dampers (optional damper kit for VQL2000 and VQL3500)

Ceiling & Cabinet Exhausters



DIMENSIONS					
Fan Model	A	B	C	Duct Connector	Est. Ship Wt.
VQ50	7.25	7.50	3.63	3.00 Round	5
VQ80	8.00	8.25	5.75	4.00 Round	7
VQ100, 150 VQL100, 150	12.25	12.25	11.75	6.00 Round	5
VQ200, 250, 300 VQL200, 250, 300	12.25	12.25	11.75	8.00 Round	5
VQ400, 500, 700 VQL400, 500, 700	12.25	21.50	11.75	4.50 x 18.50	34
VQ900, 1500 VQL900, 1500	18.00	22.00	18.00	8 x 12	64
VQL2000	14.68	38.00	14.63	7.75 x 33.75	89
VQL3500	16.75	45.75	16.75	9.75 x 41.375	144

Dimensions are shown in inches.
Weights are shown in pounds.

Acme Engineering & Manufacturing Corporation certifies that the models shown herein are licensed to bear the AMCA seal. The ratings shown are based on tests and procedures performed in accordance with AMCA Publication 211 and AMCA Publication 311 and comply with the requirements of the AMCA Certified Ratings Program.

U.L.705 Listed

Consult your Acme representative for availability.