



Optional
Light
Metal Grille
LED Light



HIGHLIGHTS

This fan includes a built-in adjustable humidity sensor from 30-100%RH as standard

- Three fans in one housing your choice 80-110-140 CFM
- All speeds have been individually performance tested and certified by HVI
- To select your CFM choice, simply shift the slide shift control to the required position
- LOW SPEED adjustable controller allows the contractor to adjust the airflow to the minimum required ventilation to meet the new building codes requirements
- HIGH SPEED time delay allows the fan to run an additional preset number of minutes which helps exhaust addition fowl air to satisfy the home owners' comfort

SPECIFICATIONS

Model	ODD-110-18PB					
Static Pressure in inches w.g.	0.1	0.25	0.1	0.25	0.1	0.25
Air Volume (CFM)	80	80	110	110	140	140
Noise (sones)	0.3	N/A	0.3	N/A	0.4	N/A
Fan Watts	5.6W		8.5W		13W	
Duct Diameter	6"					
Power Rating (V/Hz)	120/60					

• **Housing Size:**
10-1/2" x 11-3/8" x 7-5/8"
(267 mm x 289 mm x 194 mm)

• **Grille Dimensions:**
13" x 14" (330 mm x 356 mm)

• **Fan Weight:** 10.1 lb

HOUSING

- Made of rugged 26 GA galvanized steel
- High quality metal detachable "quick connect" collar
- Heavy duty 4 point mounting brackets adjustable up to 24" joist centers without vibration

MOTOR / BLOWER

- Totally enclosed brushless DC motor technology.
Most efficient using only 8~16W for all the above performances
- Operates at lower RPMs to give you ultra quiet performance
- Motor comes with a built-in overload disconnect for safety and longer motor life
- This fan is ETL and cETL listed for tub/shower enclosed when used with a GFCI branch circuit

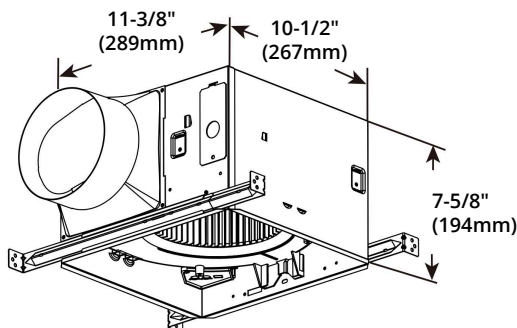
GRILLE

- Comes with torsion spring clips that helps mount grille evenly
- Made of a rugged polymeric resin that is known for its long life durability
- The Premium grille is low profile that has elegance and still able to maintain its simplicity

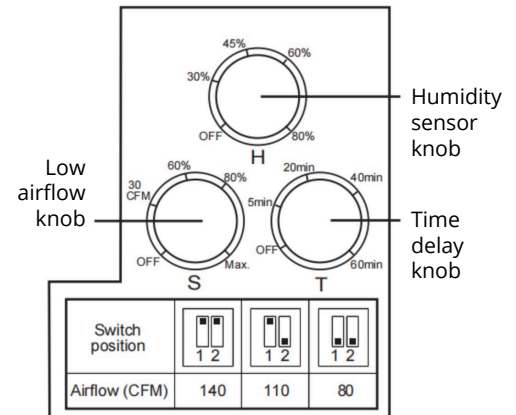
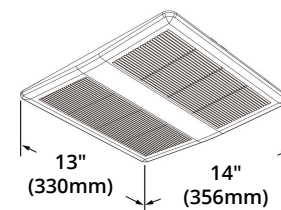
ADDITIONAL OPTIONS

- Motion Sensing grille

**ODD-110-18PB
Fan Dimensions
Diagram**



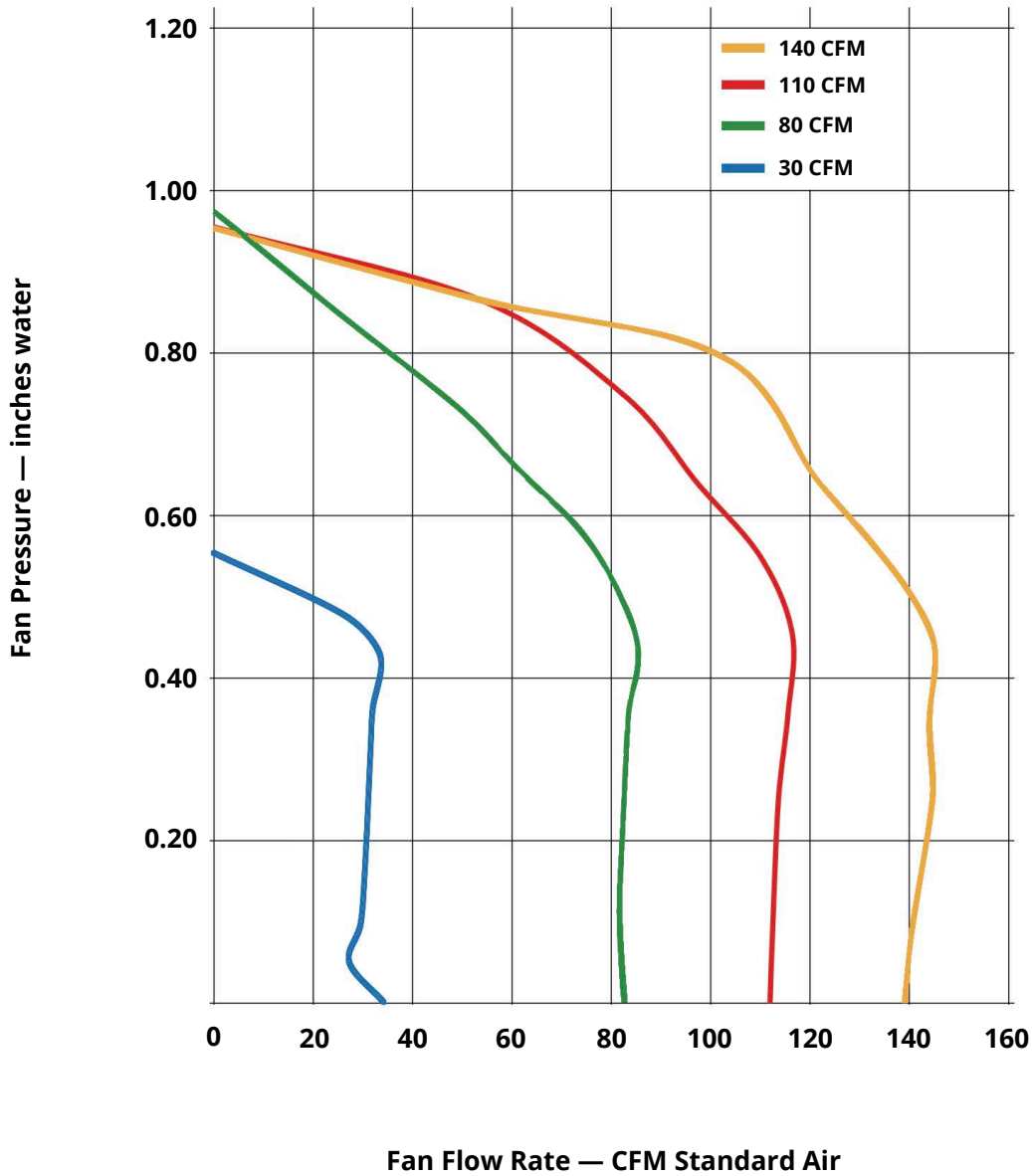
**Optional Grille
Dimensions
Diagram**



To change the pre-selected airflow, adjust the control switches as per the table above.

■ is the position of switch.

FAN CURVES



ODD-110-18PB

Reference	QTY.	Remarks	Project:
			Location:
			Architect:
			Engineer:
			Contractor:
			Submitted by:
			Date:

ORTECH reserves the right to modify at any time, without notice, any or all of our product's features, designs, components and specifications to meet market changes.