



HIGHLIGHTS

- Built-in 3 speed switch for 300 CFM capacity
- Ultra silent, high efficiency commercial inline fan
- Comes with a DC motor which is known for its high efficiency and long-lasting reliability
- ETL listed to comply with the standards for Fans and Ventilators (CAN/CSA-C22.2 No.113)
- Fan should be remote mounted and is capable of exhausting or supplying air quietly and efficiently

SPECIFICATIONS

Model	ODDIN-300-3
Static Pressure in inches w.g.	0.2 / 0.2 / 0.2
Air Volume (CFM)	340 / 310 / 220
Noise (sones)	5.8 / 4.6 / 3.1
Fan Watts	99W / 79W / 37W
Duct Diameter	8"
Power Rating (V/Hz)	120/60
Housing Size	14-1/8" x 14-1/8" x 9" (359 mm x 359 mm x 229 mm)

HOUSING

- Made of rugged 26 GA galvanized steel
- 8" diameter metal duct which included a light weight built-in backdraft damper

MOTOR / BLOWER

- Power rating should be 120V and 60Hz
- Totally enclosed brushless DC motor designed to operate continuously
- Our Premium series operates at lower RPM's to give you quieter operation
- Plug in permanently lubricated motor — Engineered for continuous operation
- Motor comes with a built-in overload disconnect for safety and longer motor life
- Fan shall be ETL and cETL listed for tub/shower enclosure when used with a GFCI branch circuit

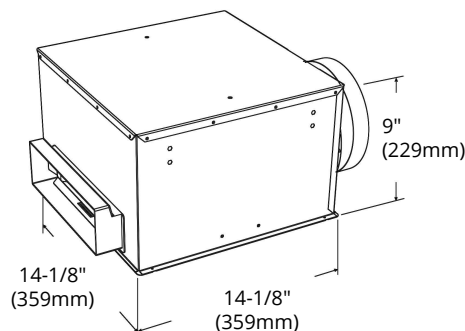
TYPICAL SPECIFICATIONS

- It shall be ducted to a roof vent or wall cap using 8 inch round pipe
- Ceiling ventilator shall have corrosion resistance galvanized steel housing with 4 point mounting capability
- Blower assembly shall be removable, have a centrifugal type blower wheel and a permanently lubricated motor designed for continuous operation

• **Inlet Size:**

10" x 3"

(254 mm x 76 mm)

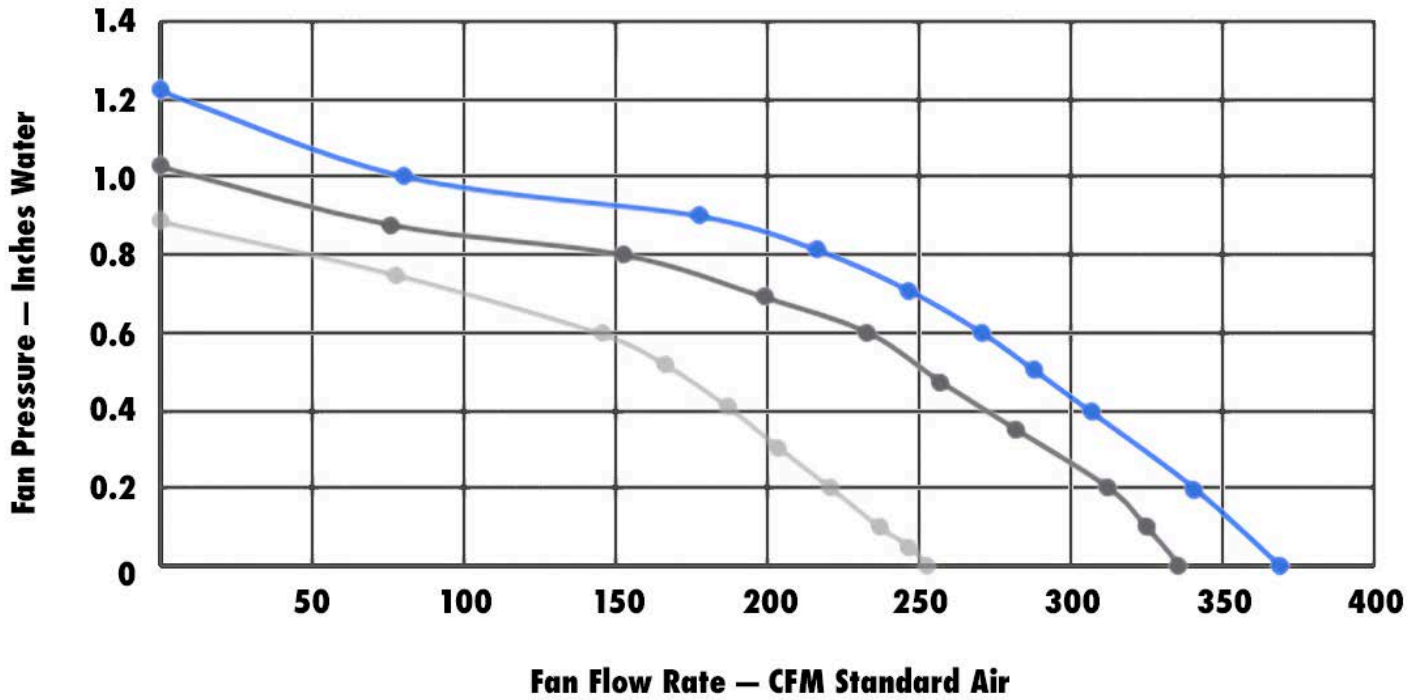


• **Outlet Size:**

8"

(203 mm)

FAN CURVE GRAPH



Reference	QTY.	Remarks	Project:
			Location:
			Architect:
			Engineer:
			Contractor:
			Submitted by:
			Date:

ORTECH reserves the right to modify at any time, without notice, any or all of our product's features, designs, components and specifications to meet market changes.

MODEL ODDIN-300-3



WARNING

WARNING — THE INSTALLATION MUST BE CARRIED OUT BY A QUALIFIED ELECTRICIAN.

1. For general ventilating use only. DO NOT use to exhaust hazardous or explosive materials and vapours
2. To avoid motor bearing damage and noisy and/or unbalanced impellers, keep drywall spray, construction dust, etc. off power unit
3. Read specification label on product for further information and requirements

Application Notice

1. Use this unit only in the manner intended by the manufacturer. Contact the manufacturer in case of questions
2. Before servicing or cleaning unit, switch power off at service panel and lock the service disconnecting means to prevent power from being switching on accidentally. When the service disconnecting means cannot be locked, securely fasten a prominent warning device, such as a tag, to the service panel
3. Installation work and electrical wiring must be done by a qualified person(s) in accordance with all applicable codes and standards, including fire-rated construction codes and standards
4. Sufficient air is needed for proper combustion and exhausting of gases through the flue (chimney) of fuel burning equipment to prevent back drafting. Follow the heating equipment manufacturer's guideline and safety standards such as those published by the National Fire Protection Association (NFPA), and the American Society for Heating, Refrigeration and Air Conditioning Engineers (ASHRAE), and the local code authorities
5. When cutting or drilling into wall or ceiling, DO NOT damage electrical wiring and other hidden utilities
6. Ducted fans must always be vented to the outdoors
7. Acceptable for use over a tub or shower when connected to a GFCI (Ground Fault Circuit Interrupter) — protected branch circuit (ceiling installation only)
8. This unit must be grounded

CAUTION

PLEASE READ INSTRUCTION BEFORE COMMENCING INSTALLATION AND RETAIN FOR FUTURE REFERENCES.

Electrical products can cause death or injury, or damage to property.

If in any doubt about the installation or use of this product, consult a competent electrician.

CLEANING & MAINTENANCE

For quiet and efficient operation, long life, and attractive appearance — lower or remove grille and vacuum interior of unit with the dusting brush attachment.

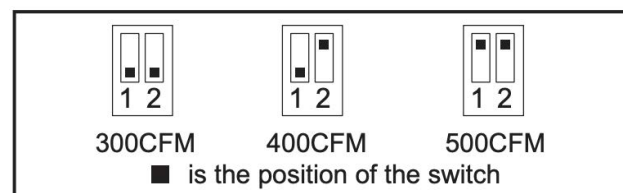
The motor is permanently lubricated and never needs oiling. If the motor bearings are making excessive or unusual noises, replace the motor with the exact service motor. The impeller should also be replaced.

OPERATION

Use an ON/OFF switch to operate this fan.

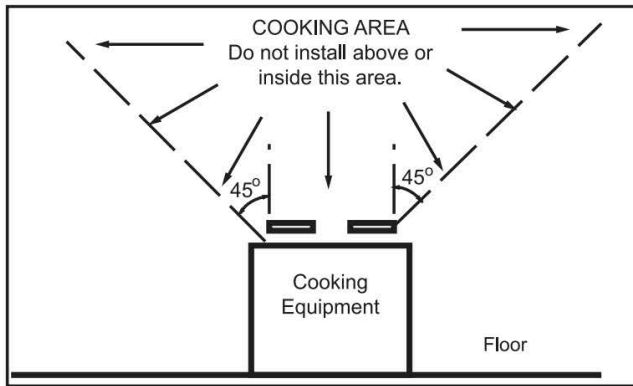
See "Connect Electrical Wiring" on page 3 of this instruction manual for details.

The fan speed is determined by the toggle switch on power box setting.

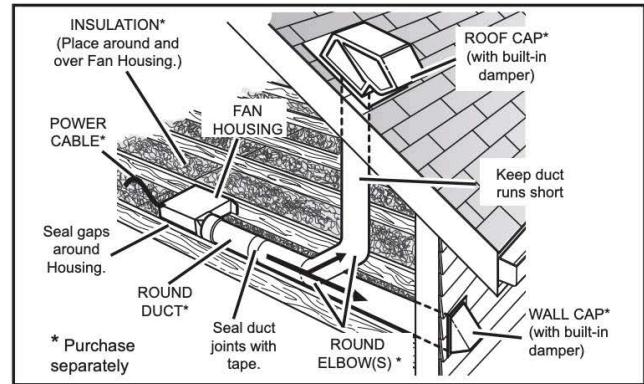


INSTALLATION GUIDE

Plan the Installation

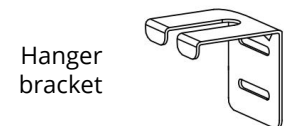
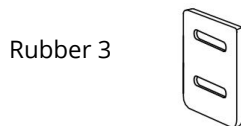
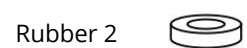
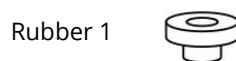


DO NOT use in a cooking area.



Assembly Instructions

1. Before installation, you need to know:



2. Mount with Hanger Bracket

Before installation, need to assembly hanger bracket and rubber 3 to housing with screw.

Then install the rubber 1, rubber 2 and washer to hanger bracket.

Use anchor bolts (not included) to secure housing (see Fig. 1).

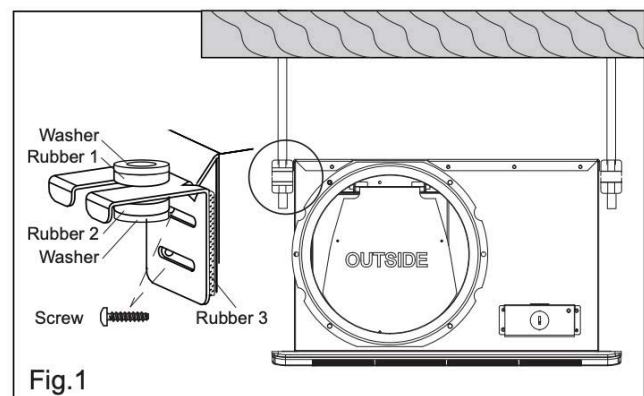


Fig.1

MODEL ODDIN-300-3

INSTALLATION GUIDE

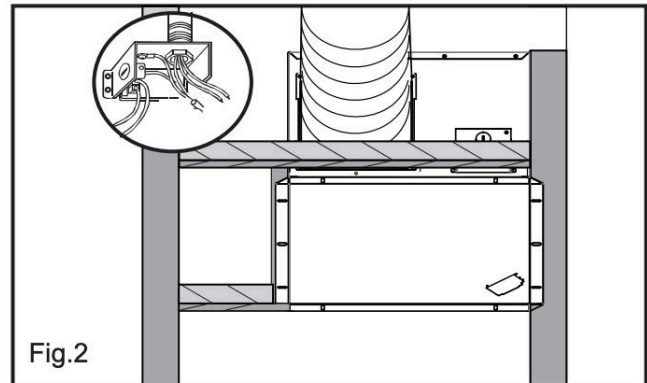
Assembly Instructions

3. Install duct work and junction box

Remove junction box cover and secure conduit or stress relief to junction box knock-out hole.

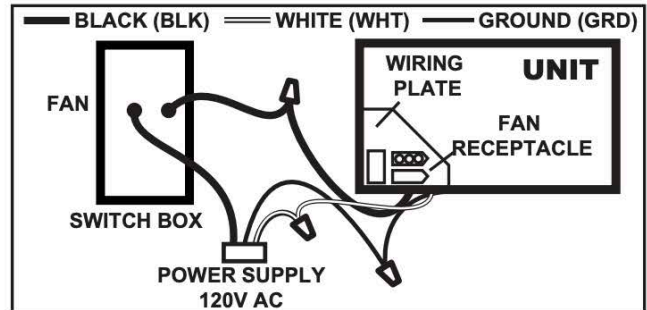
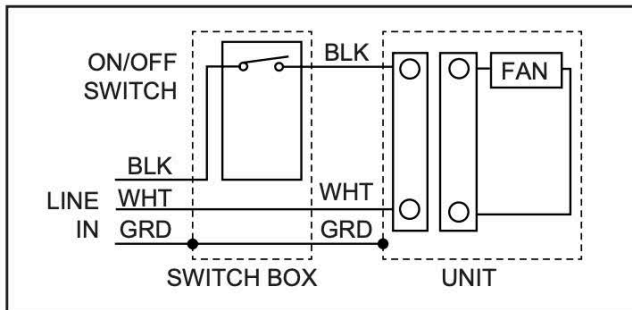
Using connectors, connect house power wires to ventilating fan wires (refer to the wiring diagram on this page CONNECT ELECTRICAL WIRING section) replace the junction box cover.

Squeeze the ductwork to fit the adapter then slip onto the adapter and secure it with duct tape (not included). Run the ductwork to a roof or wall cap (not included), secure all the ductwork connections so that they are air tight.



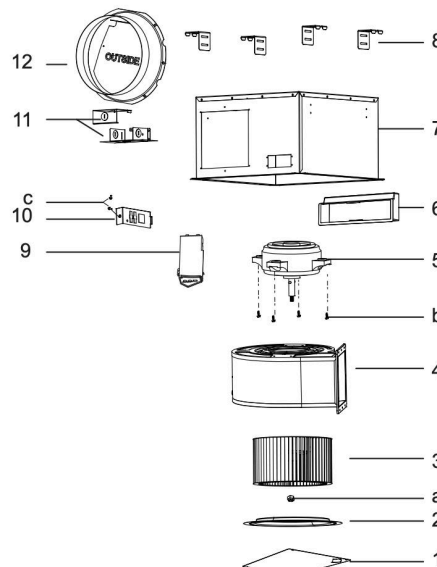
Connect Electrical Wiring

Run 120V AC house wiring to the location of the fan. Use only UL-approved connectors (not included) to attach the house wiring to the wiring plate. Refer to the wiring diagram below, and connect the wires as shown.



Service Parts

PART	PART NAME	Qty.
1	Plate	1
2	Blower Plate	2
3	Blower Wheel	1
4	Blower	1
5	Motor	1
6	Damper / Duct Connector	1
7	Housing	1
8	Hanger bracket	4
9	Power Box	1
10	Wire Panel / Harness Assembly	1
11	Wiring plate	1
12	Damper / Duct Connector	1
a	Nut, Hex Lock	1
b	Screw	4
c	Screw	2



Warning —
Before replacing, be sure to turn OFF power at power source.

ORTECH reserves the right to modify at any time, without notice, any or all of our product's features, designs, components and specifications to meet market changes.