



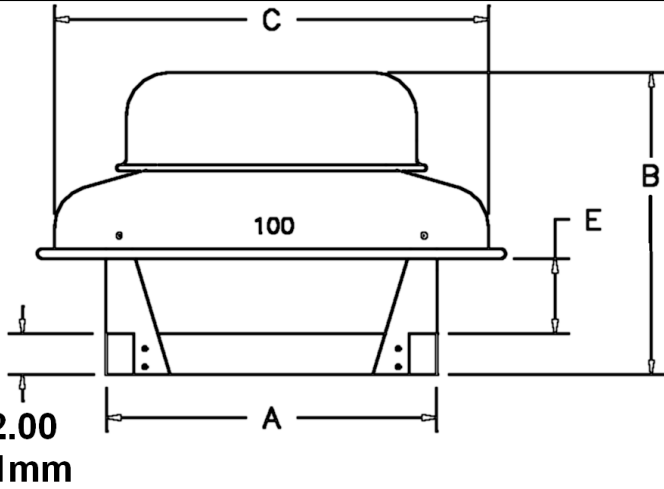
TAG: PRN100EC

Acme Engineering and Manufacturing Corporation
 P.O. Box 978, Muskogee, OK 74402

Project: ScratchPad
 Location:
 Customer: Samuel Tepp Associates, LLC
 Architect:
 Engineer:
 Contractor:

Samuel Tepp Associates, LLC

Print Date: 9/20/2023 9:06:01 AM Submitted by: Brian England



PRN Direct Drive Centrifugal Roof Exhauster

Standard Construction Features

- Motor (EC-PS)
- Integral Heavy Gauge Aluminum Bird Screen
- Motor mounted Speed Controller
- Heavy gauge aluminum housing
- Conduit Post Through Bases Curb Cap
- Aluminum hood
- Corrosion resistant fasteners
- Centrifugal backwardly inclined non-overloading aluminum hollow airfoil blades
- NEMA 1 Disconnect Switch Mounted & Wired
- Motor bearings are permanently lubricated
- 2 Year Fan/Motor Warranty

Options & Accessories

- AR 11 x 11 Damper
- C 14.5 x 14.5 Galvanized Curb -- Self Flashing (SF Style)-- Curb Height 12"

Elevation View

A	B	C	E
16.00	13.25	21.12	3.81

DIMENSIONS (inches)

Rough Opening: 11.50 X 11.50

PRN100EC E 4 1/4 Hp 115/ Single Phase/ 60 Hz/ OPEN 1 Speed w/TOL High Efficiency Motor RPM: 1850

PERFORMANCE (Altitude = 0 ft, Temp = 68 Degrees F, Density = 0.075 lb/ft3) Includes Belt Drive Loss

Qty	Model Size
1	PRN100EC

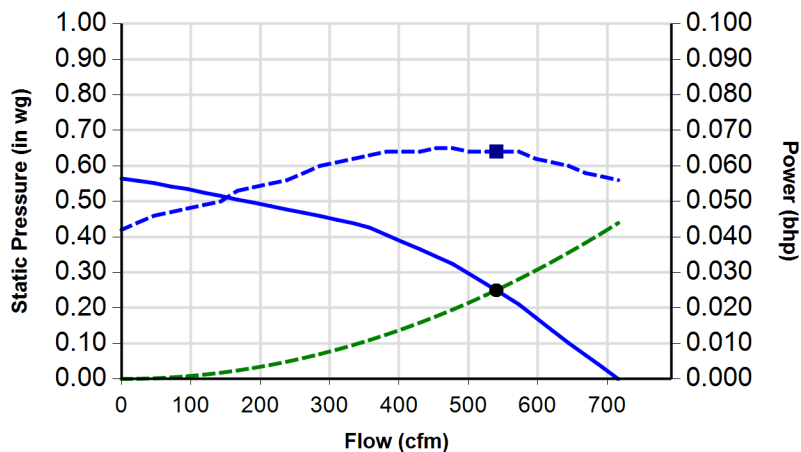
Volume (cfm)	SP (in wg)	Power (bhp)	Speed (rpm)	TS (fpm)	OV (fpm)	Weight (lbs)
540	0.250	0.064	1439	3718	545	24.00

Motor Info.		Fan Rating: 705 705c				
HP	Volts	Phase	Hz	Encl	RPM	Sp/Wdg
1/4 Hp	115	1	60	OPEN	1850	1SPD

Sound Pressure			Sound Power Octave Values								Static Eff	Total Eff
Sones*	LwA	dBA*	1	2	3	4	5	6	7	8		
4.0	60.9	49.4	62.3	64.6	63.3	57.3	56.0	50.6	41.9	34.6	40.00	43.00

The sound ratings shown are loudness values in hemispherical sones at 1.5 m (5ft) in a hemispherical free field calculated per AMCA Standard 301. Values are shown for Installation Type A: free inlet hemispherical sone levels. The AMCA certified ratings seal applies to sone ratings only.

*in free space @5 feet/1.5 Meters



— Performance - - - System ■ Operating Power
 - - - Power ● Operating Point



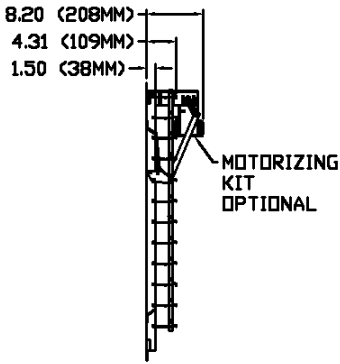
TAG: PRN100EC

Acme Engineering and Manufacturing Corporation
P.O. Box 978, Muskogee, OK 74402

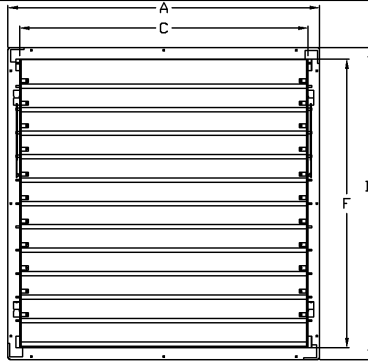
Project: ScratchPad
Location:
Customer: Samuel Tepp Associates, LLC
Architect:
Engineer:
Contractor:
Submitted by: Brian England

Samuel Tepp Associates, LLC

Print Date: 9/20/2023 9:06:01 AM



Elevation View



Elevation View

A	C	D	F
11.00	8.00	11.00	8.00

DIMENSIONS (inches)

AR 11 x 11 Damper

PERFORMANCE (Altitude = 0 ft, Temp = 0 Degrees F, Density = 0.000 lb/ft3)

Qty	Model Size
1	AR 11 x 11 Damper

AR

Back Draft Damper

Standard Construction Features

- All aluminum multiple blade construction
- Flanged style for flushed mounting
- Maximum velocity 1500 feet per minute
- Nylon bearings and stainless steel bearing pins
- Precision balanced full opening blades
- 2 Year Fan/Motor Warranty

Weight (lbs)
2.20



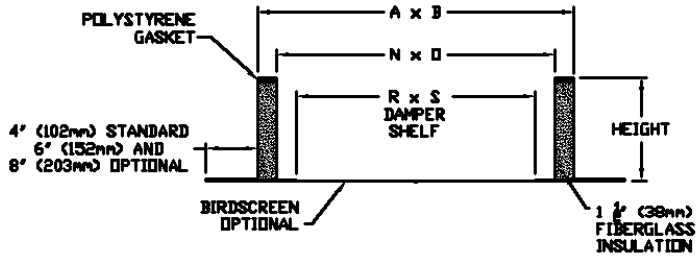
TAG: PRN100EC

Acme Engineering and Manufacturing Corporation
 P.O. Box 978, Muskogee, OK 74402

Project: ScratchPad
 Location:
 Customer: Samuel Tepp Associates, LLC
 Architect:
 Engineer:
 Contractor:

Samuel Tepp Associates, LLC

Print Date: 9/20/2023 9:06:01 AM Submitted by: Brian England



C

Curb, Prefabricated

Standard Construction Features

- 1-1/2" fiberglass insulation R-6 Value, 3PCF (N/A with Vented Curb)
- 1/4" polystyrene gasket (Top Ledge) SF Style
- 2 x 2 wood nailer (Top Ledge) RF Style
- Constructed of 18 gauge galvanized steel or .063 Aluminum
- Continuous welded seams
- Damper shelf
- Integral base plate
- Two-year limited warranty

Options & Accessories

- Self Flashing (SF Style)
- Curb Height-12"

Elevation View

A	B	N	O	R	S
14.50	14.50	11.50	11.50	8.50	8.50

DIMENSIONS (inches)

C 14.5 x 14.5 Galvanized Curb -- Self Flashing (SF Style)-- Curb Height 12"

PERFORMANCE (Altitude = 0 ft, Temp = 0 Degrees F, Density = 0.000 lb/ft3)

Qty	Model Size
1	C 14.5 x 14.5

Weight (lbs)
16.00



AMCA Statement
PRN - Direct Drive Centrifugal Roof Exhauster

Project:ScratchPad
Location:
Architect:
Engineer:
Print Date:9/20/2023

Acme Engineering and Manufacturing Corporation
P.O. Box 978, Muskogee, OK 74402



AMCA Licensed for Sound and Air Performance Without Appurtenances. Acme Engineering & Manufacturing Corporation certifies that the model shown herein is licensed to bear the AMCA seal. The ratings shown are based on tests and procedures performed in accordance with AMCA Publication 211 and AMCA Publication 311 and comply with the requirements of the AMCA Certified Ratings Program. Performance certified are for Installation Type A: free inlet, free outlet. Performances do not include the effects of appurtenances (accessories). Maximum RPM shown obtained with the standard one speed motor, for all other RPM's use solid state controller (SSC). Speed (RPM) shown is nominal for 80-1, 80-2, and 80-3. Performance is based on actual speed of tests. The sound ratings shown are loudness values in hemispherical sones at 1.5 m (5ft) in a hemispherical free field calculated per AMCA Standard 301. Values are shown for Installation Type A: free inlet hemispherical sone levels. The AMCA certified ratings seal applies to sone ratings only. The brake horsepower capability of an exhauster motor is dependent on the degree of cooling the motor receives from the air moving through the motor. The motor loading beyond the motor nameplate rating does not overheat the motor and is in accordance with the motor manufacturer's recommendations. It is therefore not detrimental to the motor and is economically desirable.